

High Wind Pressure Booster Fan Ventilation System

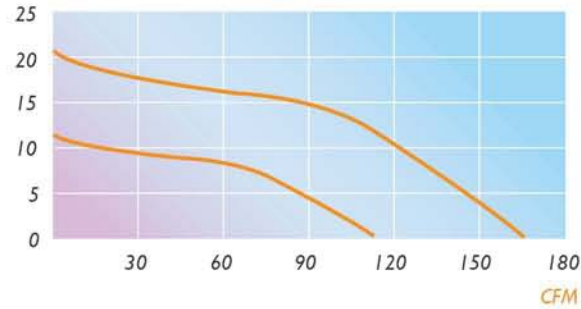
MIA WS-01 / MIA W-01 (280m³/h~850m³/h)

Mixed Flow Inline Duct Fan Ventilation System Series

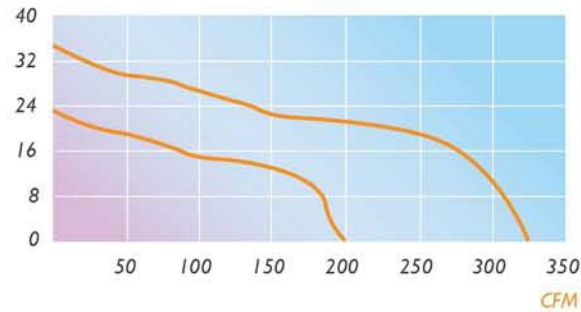


Performance curves

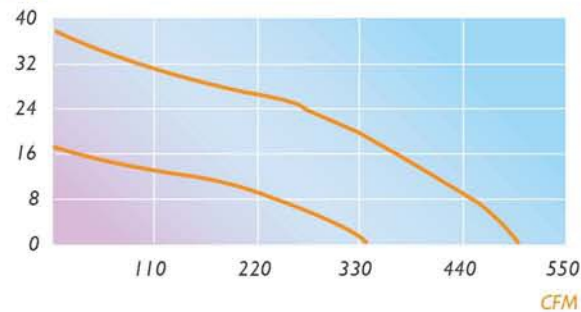
mmAq MIA-W100-01



mmAq MIA-W150-01



mmAq MIA-W200-01



Six Innovative Technologies

High speed external rotor motor: Japan NMB bearings, life more than 87648 hours. Operating ambient temperature range: -20°C ~ 60°C

Pressurized fluid power blades: Optimal airflow air pressure, high efficiency, low energy consumption, low noise.

Enhanced base design: The installation base is designed according to the structure and safety requirements of the fan. The design is safe and the installation is more simple.

Unlimited demolition design: Unique buckle design, easy disassembly, tight seal, easy installation and maintenance.

Protection class IP44: Double-diameter port, seal leak-proof, shock-proof protection; protection class IP44, effective waterproof and dustproof.

Super flame retardant case: Improve the safety factor, more environmentally friendly and safer.

Combination Installation

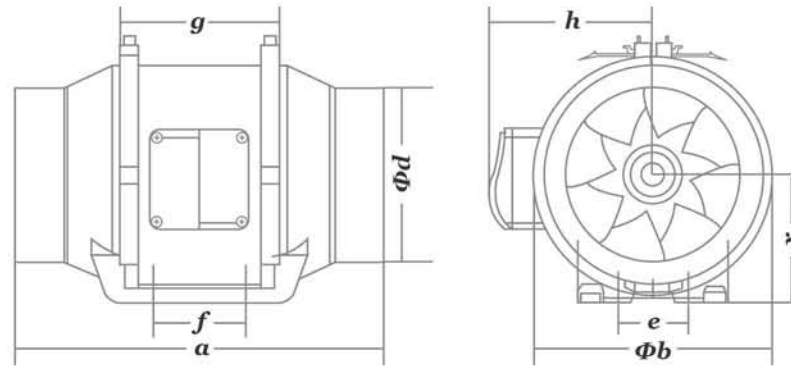
Tandem mounting kit: Installed in series to increase air pressure, which can be accessed longer pipeline.

Parallel installation kit: Parallel installation to increase the wind pressure, can reduce the host height required space.

Mixed Flow Inline Duct Fan Ventilation System

MIA W-01

Performance Parameters & Dimensions



Model	a(mm)	Φb(mm)	Φd(mm)	e(mm)	f(mm)	g(mm)	x(mm)	h(mm)	External Dimensions
MIA-W100-01	304.0	Φ178.0	Φ98.0	60.0	80.0	123.0	101.0	128.5	
MIA-W150-01	313.0	Φ200.0	Φ149.0	60.5	74.0	130.0	108.5	138.5	
MIA-W200-01	307.0	Φ220.0	Φ198.0	74.0	60.0	165.0	127.5	149.5	

Speed	Voltage	Current	Power	Speed	Volume	Pressure	Noise	Weight	MIA-W100-01
High	230V/50Hz	0.13A	30W	2450(r/min)	280m³/h	205Pa	31dB(A)	1.7kg	
Low	230V/50Hz	0.12A	25W	1650(r/min)	188m³/h	93Pa	26dB(A)	1.7kg	

Speed	Voltage	Current	Power	Speed	Volume	Pressure	Noise	Weight	MIA-W150-01
High	230V/50Hz	0.28A	51W	2600(r/min)	550m³/h	340Pa	33dB(A)	2.5kg	
Low	230V/50Hz	0.19A	42W	1650(r/min)	340m³/h	230Pa	29dB(A)	2.5kg	

Speed	Voltage	Current	Power	Speed	Volume	Pressure	Noise	Weight	MIA-W200-01
High	230V/50Hz	0.59A	131W	2450(r/min)	850m³/h	370Pa	63dB(A)	4.1kg	
Low	230V/50Hz	0.44A	101W	1650(r/min)	572m³/h	167Pa	55dB(A)	4.1kg	